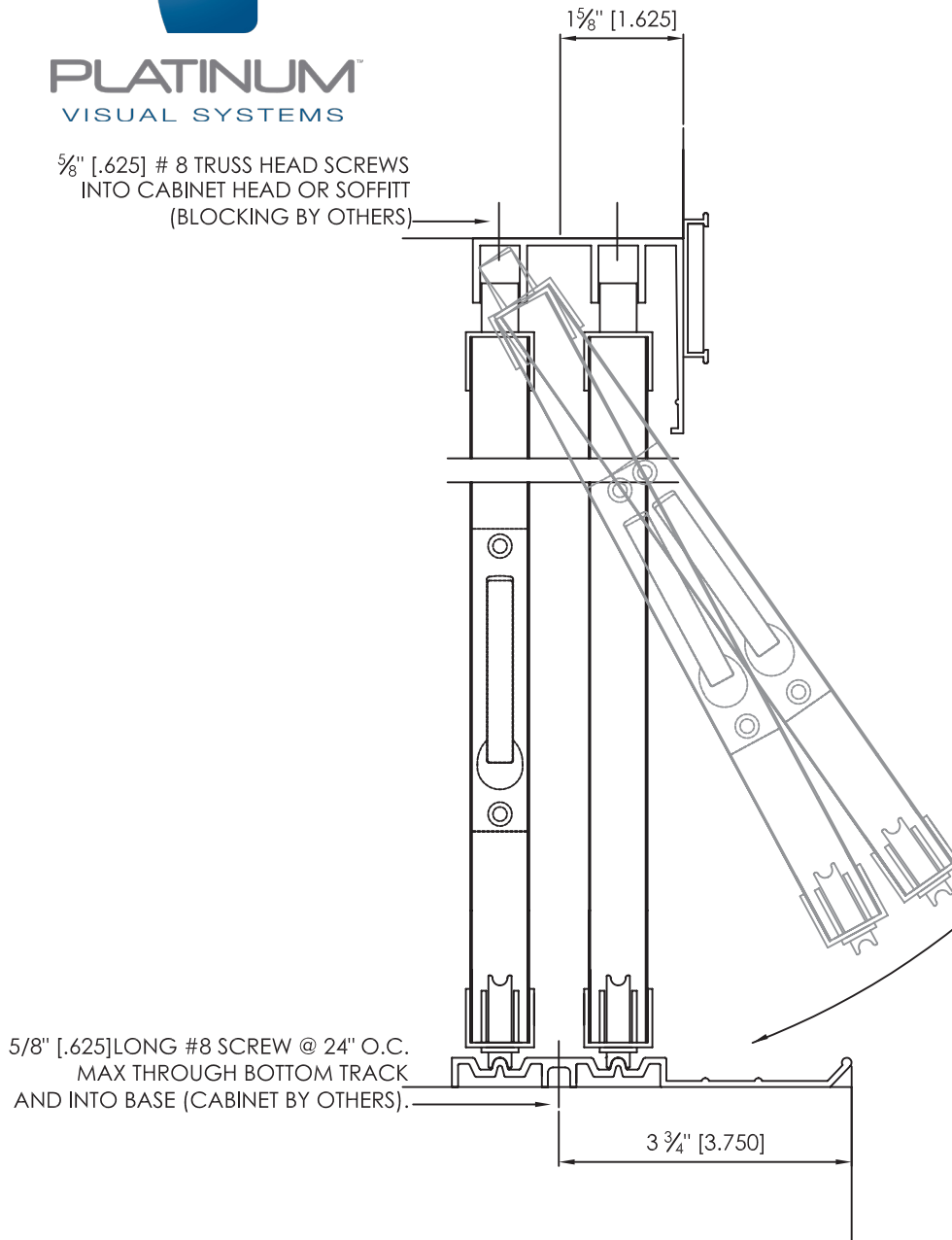




PLATINUM
VISUAL SYSTEMS

5/8" [.625] # 8 TRUSS HEAD SCREWS
INTO CABINET HEAD OR SOFFIT
(BLOCKING BY OTHERS)



5/8" [.625] LONG #8 SCREW @ 24" O.C.
MAX THROUGH BOTTOM TRACK
AND INTO BASE (CABINET BY OTHERS).

BHS / INSTALLATION INSTRUCTIONS: MARKERBOARD/TACKBOARD INSTALLATION

BOTTOM ROLLER SLIDING PANELS / INSTALLATION INSTRUCTIONS:

1. FIELD MEASURE TO CONFIRM PROPER UNIT SIZES.
2. DELIVER FACTORY BUILT UNITS TO JOBSITE.
3. DISTRIBUTE UNITS TO THEIR SPECIFIED LOCATIONS.
4. BEGIN INSTALLATION OF UNITS AT SPECIFIED LOCATIONS. LAYOUT PROPER POSITION OF TRACKS IN CABINET AS SPECIFIED. SPECIFIED POSITIONS OF TRACKS MAY VARY ACCORDING TO ARCHITECT OR FIELD CONDITIONS. REGARDLESS, BEFORE INSTALLATION CAN BEGIN, THE CENTER POSITION OF BOTH TRACKS MUST BE LOCATED.
5. INSTALL TOP TRACK: STARTING AT THE TOP OF THE CABINET, MEASURE 1 5/8" [1.625] FROM FRONT EDGE AND MAKE A MARK. THIS LANDMARK REPRESENTS THE CENTER POINT OF THE TOP TRACK. AT THE SAME LOCATION, MEASURE FROM BACK OF CABINET TO MARK JUST MADE. THIS DIMENSION WILL BE USED TO ALIGN BOTH TRACKS VERTICALLY.
6. USING THE DIMENSION JUST ESTABLISHED, MEASURE FROM BACK TO FRONT ON BOTTOM OF CABINET AND MAKE MARK. THIS LANDMARK WILL BE USED TO LINE UP CENTER OF BOTTOM TRACK. REPEAT FOR OTHER SIDE.
7. INSTALL BOTTOM TRACK: LINE UP CENTER LANDMARK MADE ON CABINET AND FASTEN SECURELY WITH 1" FLAT HEAD SCREWS PROVIDED.
8. INSTALL SLIDING PANELS: STARTING AT BACK TRACK INSERT TOP OF PANEL (GUIDES) INTO TOP - BACK TRACK. PLACE BOTTOM OF SLIDING PANEL INTO BOTTOM - BACK TRACK. REPEAT FOR ALL REMAINING PANELS. (ALL PANELS IN THE BACK TRACK MUST BE INSTALLED FIRST.

(PAGE 1 OF 1)