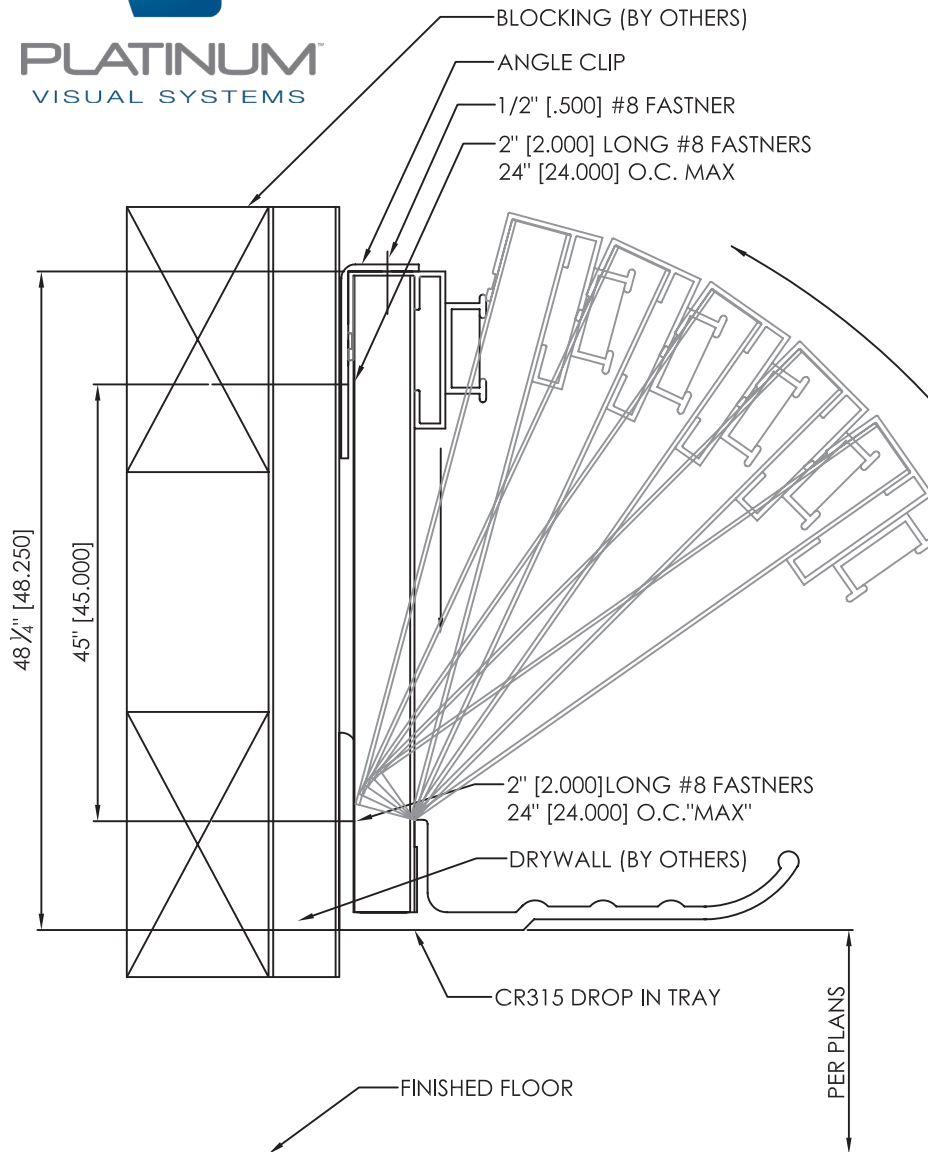




**PLATINUM**  
VISUAL SYSTEMS



FASTENER SIZE PER MANUFACTURER RECOMMENDATION  
#8 FASTENER IS SUFFICIENT.

# WTS / INSTALLATION INSTRUCTIONS: CHALK/MARKERBOARD INSTALLATION

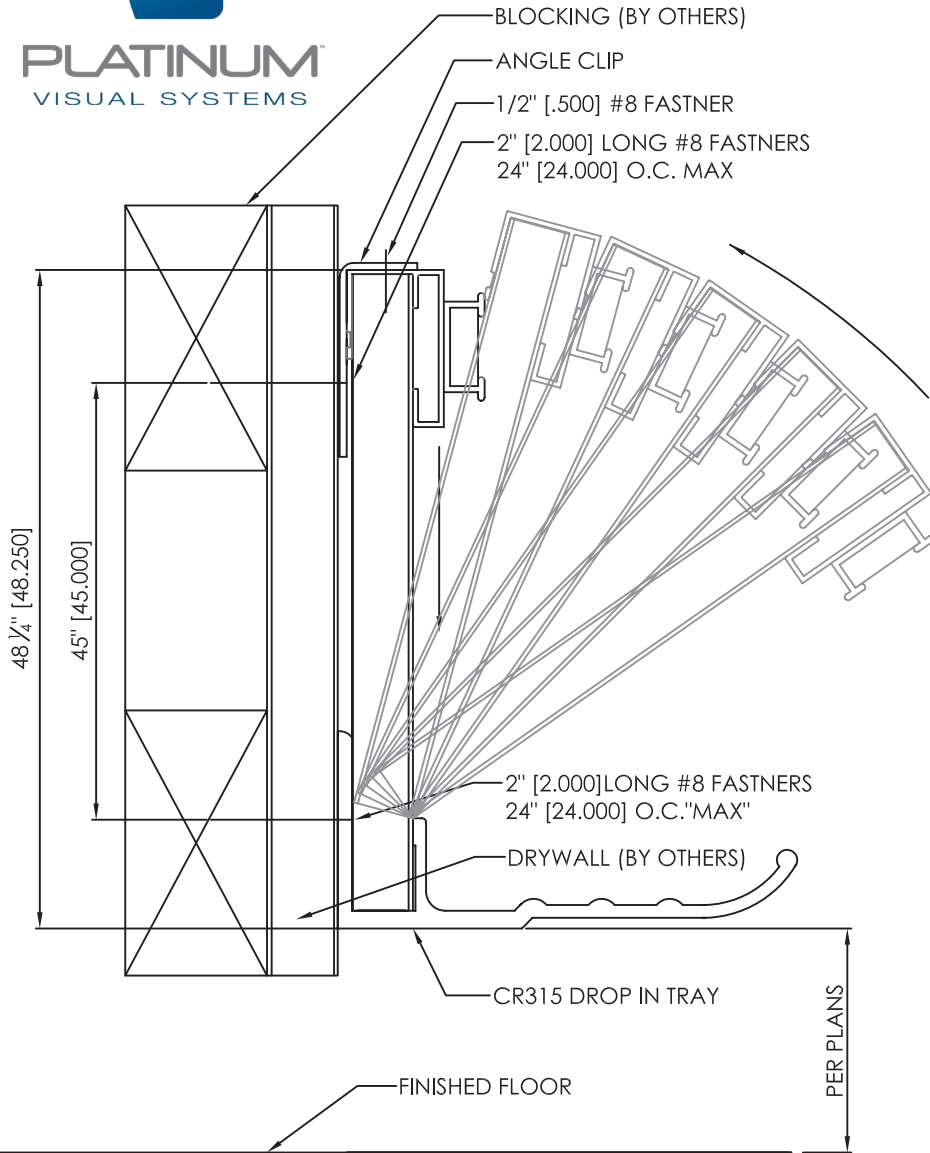
WTS W/ DROP IN TRAY SYSTEM / INSTALLATION INSTRUCTIONS:

1. DISTRIBUTE BOARDS TO THEIR SPECIFIED LOCATIONS.
2. DETERMINE LOCATION AND MOUNTING HEIGHT ABOVE FINISH FLOOR.
3. LOCATE SPECIFIED AREA ON WALL FOR BOARD LOCATION.
4. USING EITHER SIDE OF BOARDS STARTING POINT, MEASURE UP FROM FLOOR APPROXIMATELY 36" AND MARK WALL IN ACCORDANCE WITH SPECIFIED MOUNTING HEIGHT. THIS IS DONE ONLY TO GAIN A ROUGH ESTIMATE MOUNTING HEIGHT.
5. MEASURE DOWN FROM CEILING TO THE SAME POINT AND ESTABLISH AN ACCURATE MOUNTING HEIGHT, THIS STEP IS NECESSARY AS FLOOR IS NOT ALWAYS LEVEL.
6. WITH BOARD WIDTH IN MIND, REPEAT PREVIOUS STEP ON OPPOSITE SIDE OF BOARD LOCATION. (NOTE: IT IS WISE TO DEDUCT 1" WHEN PERFORMING THIS FUNCTION THIS IS DONE TO ALLOW ALL INSTALLATION MARKING ON WALL TO BE HIDDEN AFTER INSTALLATION IS COMPLETE.
7. SNAP CHALKLINE FROM BOTH POINTS ESTABLISHED AND CHECK LINE FOR LEVEL.
8. USING A "STUD FINDER" OR OTHER AVAILABLE MEANS, LOCATE STUDS ALONG LEVEL LINE. A) USING A PENCIL OR MARKING DEVICE, MARK LOCATION OF STUDS ON LEVEL LINE MAKE MARKS LONG ENOUGH AS YOU WILL USE THESE MARKS VISUALLY TO ACCURATELY TRANSFER LOCATIONS TO TRAY. B) PLACE CR315 CHALKTRAY ON WALL AND TRANSFER ALL STUDS LOCATIONS TO BACK LEG OF TRAY. C) REMOVE TRAY FROM WALL AND DRILL  $\frac{3}{16}$ " Ø DIAMETER HOLE AT EACH LOCATION. D) COUNTERSINK HOLES JUST DRILLED, THIS STEP IS NECESSARY TO ENSURE ANY AND ALL FASTENERS DO NOT INTERFERE WITH BOARD WHEN PLACE INTO TRAY. E) PLACE TRAY BACK ON WALL, FASTEN SECURELY TO STUDS USING THE FASTENERS PROVIDED BY THE MANUFACTURER ENSURING AT LEAST 1" PENETRATION.
9. MOUNTING CLIPS LOCATION A) MEASURE HEIGHT OF BOARD B) DEDUCT  $2\frac{1}{2}$ " C) STARTING FROM JUST INSIDE EITHER SIDE OF TRAY ALREADY MOUNTED TO WALL, USE DIMENSION JUST ESTABLISHED AND MEASURE UP FROM BACK EDGE OF TRAY AND MAKE MARK ON WALL. (THIS MARK WILL LATER REPRESENT LOCATION OF MOUNTING CLIP). D) REPEAT ABOVE STEP ON OPPOSITE SIDE OF TRAY. E) USING THESE TWO POINTS, SNAP A LINE FROM END TO END. E) ENSURING AT LEAST 1" STUD PENETRATION, ATTACH SUPPLIED MOUNTING CLIPS TO WALL USING LEVEL LINE MADE IN PREVIOUS STEP. F) REPEAT STEP ABOVE FOR ALL STUDS.

(PAGE 1 OF 2)



**PLATINUM**  
VISUAL SYSTEMS



## WTS / INSTALLATION INSTRUCTIONS: CHALK/MARKERBOARD INSTALLATION

WTS W/ DROP IN TRAY SYSTEM / INSTALLATION INSTRUCTIONS:

10. MOUNTING BOARD TO WALL: A) APPLY MANUFACTURER ADHESIVE TO BACK OF BOARD USING DOBBING OR BEADING METHOD. NOTE: DEPENDING ON THE WALL AND FIELD CONDITIONS THE ABOVE STEP MAY NOT BE NECESSARY. IF THIS IS THE CASE AND OR THE CONDITIONS ARE NOT CLEAR TO YOU, CONTACT THE MANUFACTURER IMMEDIATELY.

11. INSERTING PANEL INTO CR315 TRAY: A) PUSH TOP OF PANEL AGAINST WALL, DEPENDING ON THE SIZE AND OR CONFIGURATION OF BOARD THIS STEP MAY REQUIRE THE NEED FOR ADDITIONAL MANPOWER. B) BEGINNING AT EITHER SIDE OF BOARD, PUSH MOUNTING CLIP DOWNWARD UNTIL IT TOUCHES TRIM ONM TOP OF BOARD AND FASTEN WITH  $\frac{5}{8}$ " TRUSS HEAD SCREW SUPPLIED BY MANUFACTURER.C) REPEAT ABOVE STEP FOR ALL REMAINING MOUNTING CLIPS.

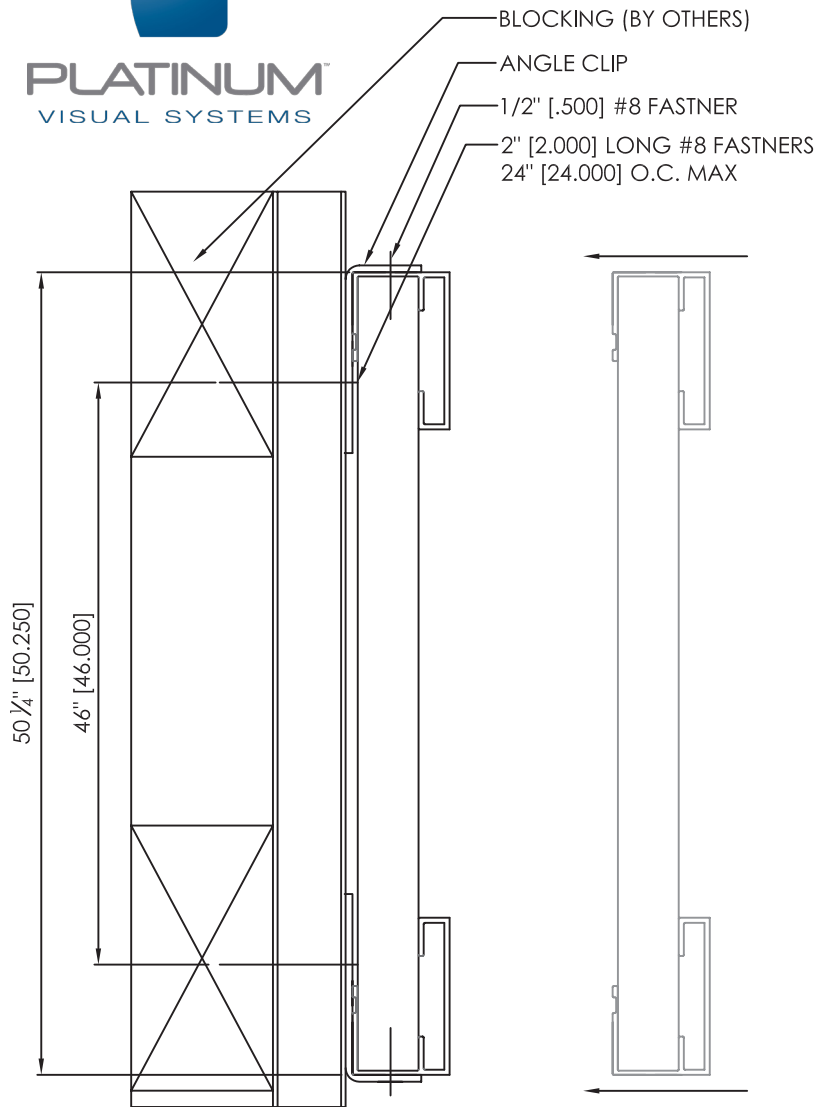
12. PREPARE BOARD FOR USE: BLOW OFF ANY DUST OR DEBRIS FROM INSTALLATION AND CLEAN SURFACE OF MARKERBOARD AS NEEDED TO A READY FOR USE CONDITION.

FASTENER SIZE PER MANUFACTURER RECOMMENDATION  
#8 FASTENER IS SUFFICIENT.

(PAGE 2 OF 2)



**PLATINUM**  
VISUAL SYSTEMS



FASTENER SIZE PER MANUFACTURER RECOMMENDATION  
#8 FASTENER IS SUFFICIENT.

FINISHED FLOOR

## WTS / INSTALLATION INSTRUCTIONS: TACKBOARD INSTALLATION

WTS INSTALLATION INSTRUCTIONS:

1. DISTRIBUTE BOARDS TO THEIR SPECIFIED LOCATIONS.
2. DETERMINE LOCATION AND MOUNTING HEIGHT ABOVE FINISH FLOOR.
3. LOCATE SPECIFIED AREA ON WALL FOR BOARD LOCATION. DETERMINE LOCATION AND MOUNTING HEIGHT ABOVE FINISH FLOOR. LOCATE SPECIFIED AREA IN WALL FOR BOARD LOCATION. ESTABLISH HORIZONTAL LOCATION OF BOARD. USING EITHER SIDE OF BOARD LOCATION AS A STARTING POINT (RIGHT OR LEFT), MEASURE UP FROM FLOOR IN ACCORDANCE WITH SPECIFIED MOUNTING HEIGHT AND MARK WALL. (THIS IS DONE ONLY TO GAIN A ROUGH ESTIMATE MOUNTING HEIGHT. MEASURE DOWN FROM CEILING TO THE SAME POINT AND MARK WALL TO ESTABLISH ACCURATE MOUNTING HEIGHT. (THIS STEP IS NECESSARY AS FLOOR IS NOT ALWAYS LEVEL. WITH ACCURATE STARTING POINT ESTABLISH, MEASURE UP 3 1/2" AND MARK WALL. THIS MARK WILL REPRESENT LANDMARK FOR LEVEL LINE TO BE USE AS A GUIDE DURING INSTALLATION OF L-CLIP. WITH BOARD WIDTH IN MIND, REPEAT PREVIOUS STEP ON OPPOSITE SIDE OF BOARD LOCATION. SNAP CHALK LINE FROM BOTH POINTS ESTABLISHED AND CHECK LINE FOR LEVEL. IF LINE IS LEVEL PROCEED.
4. INSTALLING TOP L-CLIPS TO THE WALL. USING A " STUD FINDER" OR OTHER AVAILABLE MEANS LOCATE STUDS ALONG LEVEL LINE. MARK LOCATION OF STUDS ON LEVEL LINE. MAKE MARKS LONG ENOUGH AS YOU USE THESE MARKS VISUALLY TO ACCURACY TRANSFER LOCATIONS TO TRAY. PLACE THE L-CLIP ON WALL AND TRANSFER ALL STUD LOCATIONS TO THE REST OF L-CLIPS. PLACE L-CLIP BACK ON WALL, MOUNT SECURELY TO STUDS ENSURING AT LEAST 1" STUD PENETRATION.
5. PREPARE BOARD FOR USE: BLOW OFF ANY DUST OR DEBRIS FROM INSTALLATION AND CLEAN SURFACE OR MARKERBOARD AS NEEDED TO A READY FOR USE CONDITION.

(PAGE 1 OF 1)